



HBP-2000-4 BLOWER PURGE DESICCANT AIR DRYER GENERAL ARRANGEMENT

TOLERANCES UNLESS
OTHERWISE SPECIFIED:

- FRACTIONS = ± 1/4 "
- ANGLES = ± 3°
- INCHES = ± 1/2 "
- FINISH = 250

THE SPECIFICATIONS AND DRAWINGS DISCLOSED HEREIN ARE THE SOLE PROPERTY OF ALTEC AIR, AND SHALL NOT BE COPIED OR USED AS THE BASIS FOR SALE OR MANUFACTURE WITHOUT EXPRESS WRITTEN PERMISSION.

REVISION LOG

REV.	ECO.	DESCRIPTION	DATE	APPROVED
E	1098	PRODUCTION UPDATES	2/19/2021	WS

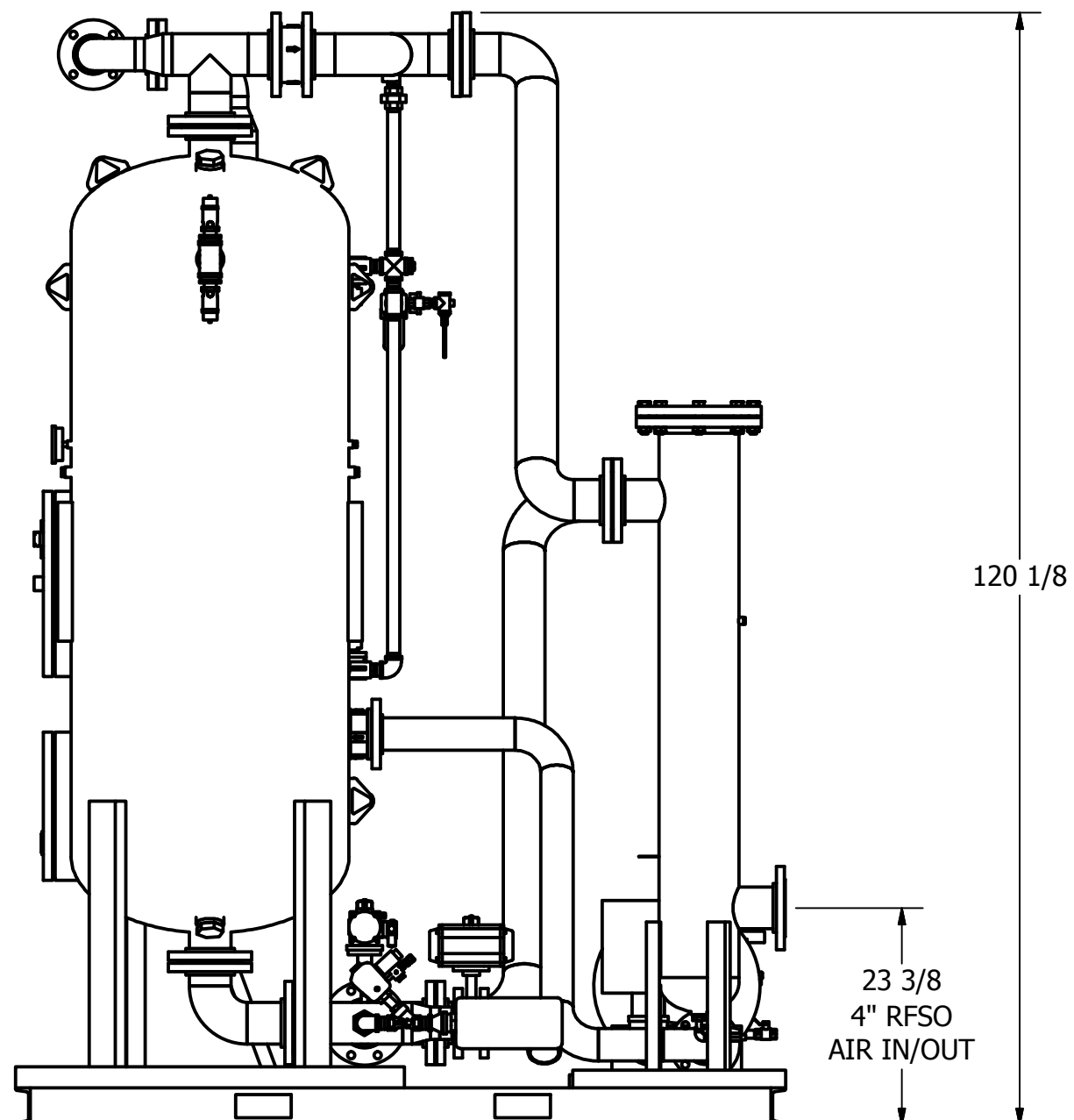
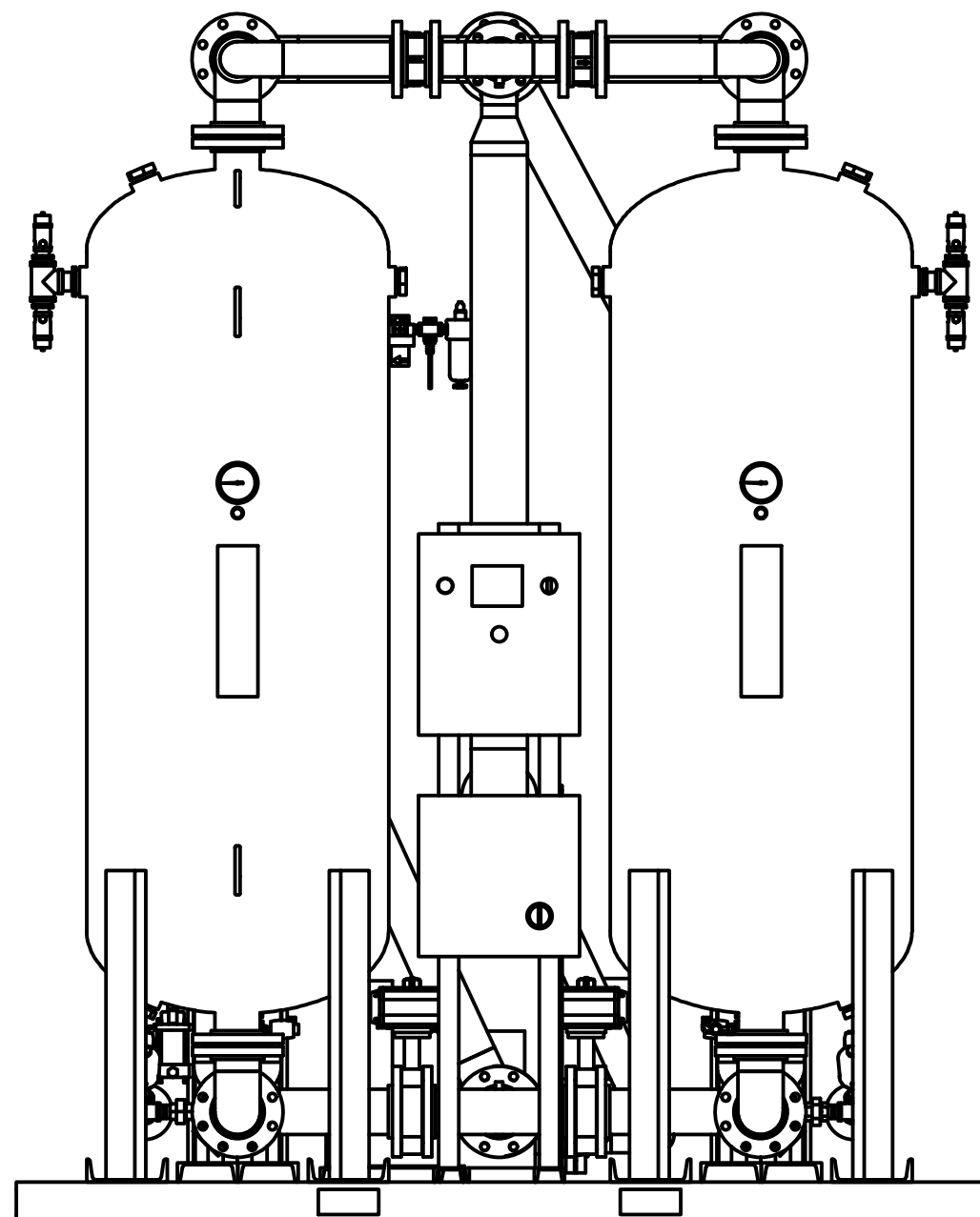
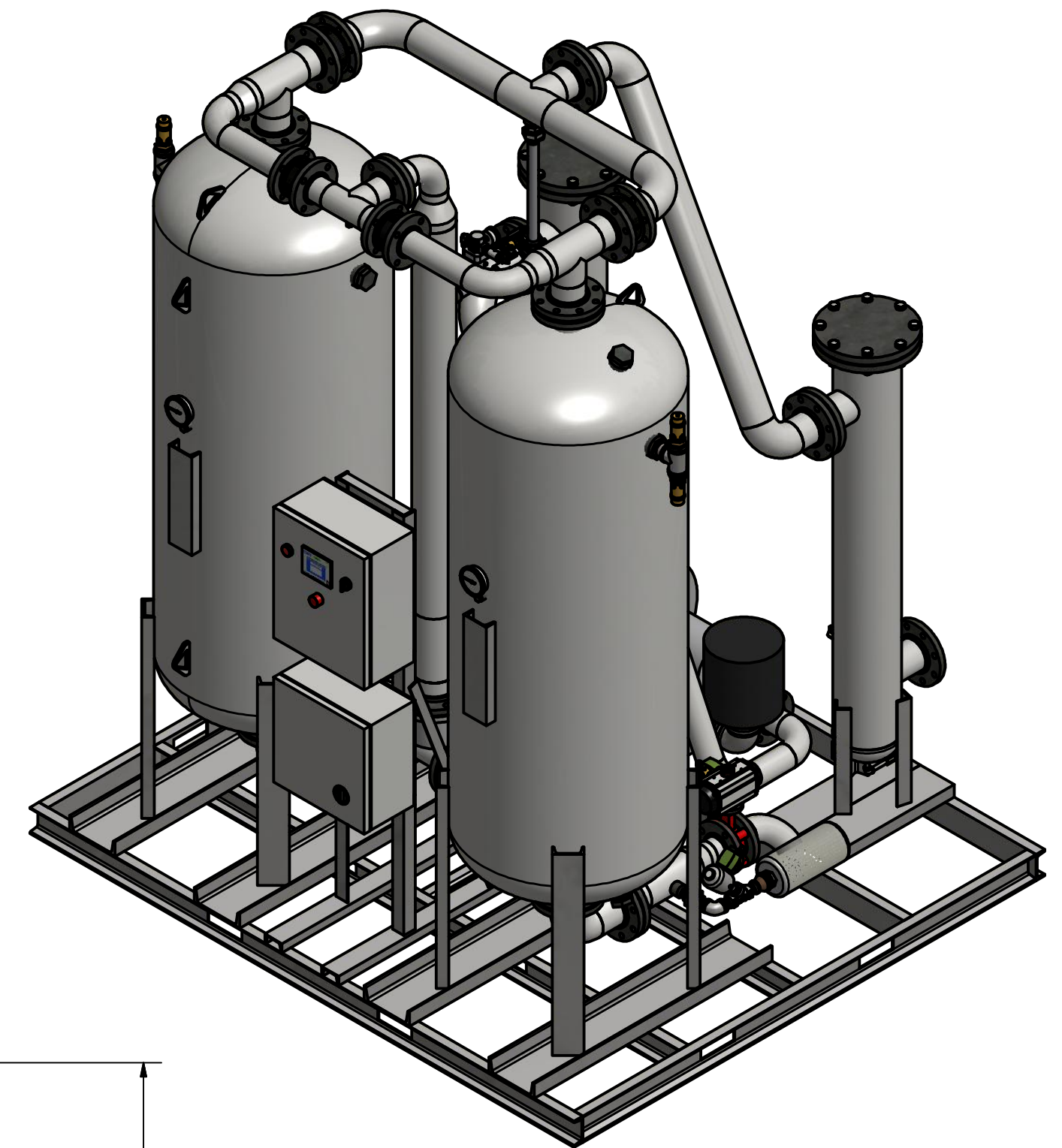
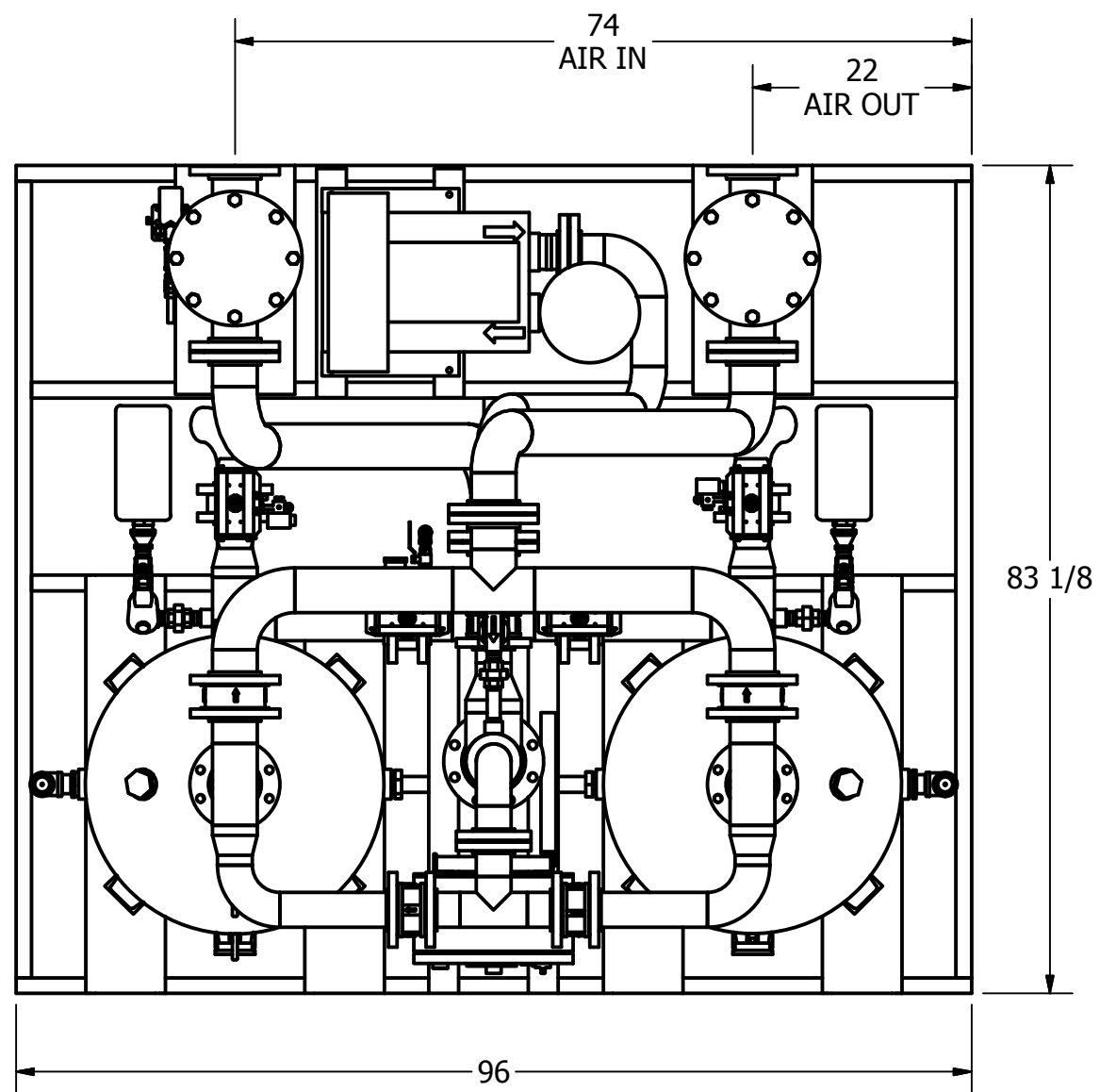
DRAWING NO.

AT20-527

REV.
E

DRAWN: MR DATE: 10/20/2014
CHECKED: DATE:

SCALE: N/A SHEET: 1 OF 2



PRELIMINARY



HBP-2000-4 BLOWER PURGE DESICCANT AIR DRYER GENERAL ARRANGEMENT

TOLERANCES UNLESS
OTHERWISE SPECIFIED:

- FRACTIONS = ± 1/4 "
- ANGLES = ± 3°
- INCHES = ± 1/2 "
- FINISH = 250

THE SPECIFICATIONS AND DRAWINGS DISCLOSED HEREIN ARE THE SOLE PROPERTY OF ALTEC AIR, AND SHALL NOT BE COPIED OR USED AS THE BASIS FOR SALE OR MANUFACTURE WITHOUT EXPRESS WRITTEN PERMISSION.

REVISION LOG

REV.	ECO.	DESCRIPTION	DATE	APPROVED
E	1098	PRODUCTION UPDATES	2/19/2021	WS

DRAWING NO.

AT20-527

REV.
E

DRAWN: MR DATE: 10/20/2014
CHECKED: DATE:

SCALE: N/A

SHEET: 2 OF 2

PARTS LIST

ITEM	QTY	DESCRIPTION
1	2	CHECK VALVE, PURGE
2	2	CHECK VALVE, OUTLET
3	1	SOLENOID VALVE, REPRESS
4	1	MOISTURE INDICATOR
5	1	SOLENOID VALVE, 2%
6	1	CHECK VALVE, BLOWER
7	1	PARTICULATE FILTER, CONTROL
8	1	PRESSURE REGULATOR, CONTROL
9	1	PRESSURE GAUGE, CONTROL
10	1	DEW POINT MONITOR (OPTIONAL)
11	4	RELIEF VALVE, TANK
12	1	30 KW HEATER
13	2	PRESSURE GAUGE, TANK
14	1	ZERO LOSS DRAIN
15	1	COALESCER PRE-FILTER
16	1	7 1/2 HP BLOWER
17	1	FILTER, BLOWER
18	2	BUTTERFLY VALVE, INLET
19	2	ANGLE BODY VALVE, PRE-EXHAUST
20	2	BUTTERFLY VALVE, MAIN EXHAUST
21	2	MUFFLER, PRE-EXHAUST
22	1	PARTICULATE AFTER-FILTER
23	3000 LBS	DESICCANT

PRELIMINARY

